

**AUXSOL**

WIN GREEN FUTURE TOGETHER

---

# INSTALLATION OPERATION MANUAL

---

ASN series

ASN - (6~10) SL

**AUXSOL**

WIN GREEN FUTURE TOGETHER

---

**Ningbo AUX Solar Technology Co., Ltd.**

No.17 Fenglin Road, Cicheng Town,  
Jiangbei District, Ningbo City, Zhejiang Province, China

✉ [info@auxsol.com](mailto:info@auxsol.com)

🌐 [www.auxsol.com](http://www.auxsol.com)

☎ +86 0574-8765 2201

Ningbo AUX Solar Technology Co., Ltd.

# CONTENT

## **PREFACE**

Summary .....	1
Applicable products .....	1
Applicable staff .....	1
Symbol definition .....	1

## **1 OPEN THE CARTON TO CHECK**

1.1 Inspection before acceptance .....	2
1.2 Packing list .....	2
1.3 Storage .....	3

## **2 SAFETY PRECAUTIONS**

2.1 General safety .....	4
2.2 PV string safety .....	4
2.3 Inverter safety .....	5
2.4 Personnel requirements .....	5

## **3 INTRODUCTION**

3.1 Products Introduction .....	6
3.2 Outlook Introduction .....	6
3.3 Dimension .....	7
3.4 Display description .....	7

# PREFACE

## 4 APPLICATION

4.1 Application scenario .....	18
4.2 Application mode .....	19
4.3 Function characteristics .....	19

## 5 INSTALLATION

5.1 Installation requirements .....	20
5.2 Installation of inverter .....	23
5.3 Electrical connection .....	24

## 6 EQUIPMENT COMMISSIONING AND MAINTENANCE

6.1 Check before power-on .....	34
6.2 Power on the equipment .....	34
6.3 Set inverter parameters via APP .....	35
6.4 Power off the equipment .....	35
6.5 Equipment removal .....	36
6.6 Equipment scrapping .....	36
6.7 Trouble shooting .....	36
6.8 Regular maintenance .....	39

## 7 TECHNICAL PARAMETER .....

40

## Summary

This document mainly introduces the installation, electrical connection, adjustment, maintenance and troubleshooting methods of ASN series single-phase on grid solar inverter. Before installing and using the inverter, please read this manual carefully to understand the safety information and get familiar with the functions and characteristics of the inverter. The document may be updated from time to time. Please obtain the latest version of the information and other product information from the official website.

## Applicable products





This document is applicable to the following 5 types of AUX ASN series single-phase on grid inverter:  
**ASN - 6SL / ASN - 7SL / ASN - 8SL / ASN - 9SL / ASN - 10SL**

## Applicable staff

It is only applicable to professionals who are familiar with local regulations and standards and electrical system, have received professional training and are familiar with the relevant knowledge of the product.

## Symbol definition

To better use this manual, the following symbols are used to highlight important information. Please read the symbols and instructions carefully.

	<b>Danger:</b> Indicates a highly potential danger that, if not avoided, could result in death or serious injury to personnel.
	<b>Warning:</b> Indicates a moderate potential hazard, which could lead to death or serious injury if not avoided.
	<b>Watch out:</b> Indicates a low level of potential danger that, if not avoided, may result in moderate or mild injury to personnel.
	<b>Watch out:</b> Emphasizing and supplementing the content may also provide tips or tricks for optimizing product usage, which can help you solve a problem or save your time.

# 1 OPEN THE CARTON TO CHECK

## 1.1 Inspection before acceptance

Before signing for the product, please carefully check the following contents:

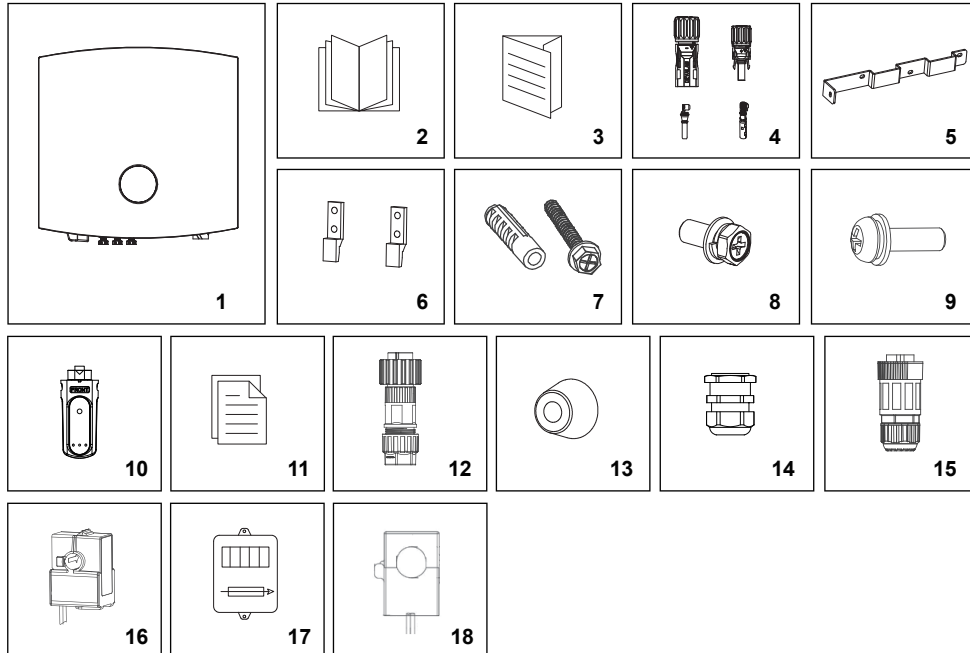
- Check the outer packaging for any damage, such as deformation, holes, cracks, or other signs that may cause damage to the equipment inside the packaging. If there is any damage, do not open the packaging and contact your dealer.
- Check if the inverter model is correct. If there is any discrepancy, do not open the packaging and contact your dealer.
- Check whether the type and quantity of delivered items are correct, and whether there is any damage to the appearance. If there is any damage, please contact your dealer.

## 1.2 Packing list



### Watch out:

- The number of PV DC input terminals matches the number of inverter DC input terminals.
- The datalogger and current sensor are provided as optional, please refer to the actual situation.



No.	Description	Model	Unit	QTY	Remark
1	Inverter	ASN-6~10SL	pcs	1	
2	User manual	ASN-6~10SL	pcs	1	
3	Quick installation manual	ASN-6~10SL	pcs	1	
4	PV terminals (+, -)		set	*	black
5	Wall-mounting bracket	ASN-6~10SL	pcs	1	
6	Hangers	ASN-6~10SL	pcs	2	
7	Self tapping screws+bolt expansion	M6*50+Φ10*45	pcs	3	
8	Combination screws	M5×12	pcs	5	
9	Combination screw	M4×12	pcs	1	
10	Datalogger		pcs	1	optional
11	Inspection report	ASN-6~10SL	pcs	1	
12	AC wiring terminal		pcs	1	black
13	Rubber	30*20*25	pcs	1	black
14	DRM connector		pcs	1	optional
15	CT connector		pcs	1	optional
16	Current transformer		pcs	1	optional
17	Meter		pcs	1	optional
18	Meter current transformer		pcs	1	optional

## 1.3 Storage

If the inverter is not put into use immediately, please store it according to the following requirements:

- Make sure that the outer packing box is not removed.
- Make sure that the storage temperature is always - 40 °C~+70 °C and the storage relative humidity is always 0~100% without condensation.
- Make sure the inverter stacking height and direction are placed according to the label on the packing box.
- Make sure there is no risk of toppling the inverter after stacking.
- Regular inspection is required during storage. If the package is damaged due to insect and rat bite, the packaging materials shall be replaced in time.
- The inverter shall be put into use after being stored for a long time and inspected and confirmed by professionals.

# 2 SAFETY PRECAUTIONS

The safety precautions contained in this document must always be observed when operating the equipment.



**Watch out:**

The inverter has been designed and tested in strict accordance with safety regulations, but as electrical equipment, the relevant safety instructions must be observed before any operation on the equipment. Improper operation may lead to serious injury or property damage.

## 2.1 General safety



**Watch out:**

- Due to product version upgrading or other reasons, the document content will be updated from time to time. If there is no special agreement, the document content cannot replace the safety precautions in the product label. All descriptions in this document are for guidance only.
- Please read this document carefully for products and precautions before installing the equipment.
- Professional and qualified electrical technicians who shall be familiar with the relevant standards and safety specifications of the project site must carry out all equipment operations.
- Insulation tools and personal protective equipment shall be used to ensure personal safety during inverter operation. Electrostatic gloves, wrist strap and antistatic clothing shall be worn when contacting with electronic devices to protect the inverter from electrostatic damage.
- Equipment damage or personal injury caused by inverter not installed, used or configured in accordance with the requirements of this document or corresponding user manual is not within the responsibility scope of equipment manufacturer.

## 2.2 PV string safety



**Danger:**

- Please use the DC wiring terminals provided with the box to connect the inverter DC cable. If other types of DC wiring terminals are used, serious consequences may be caused, and the equipment damage caused thereby is not within the scope of the equipment manufacturer.
- The solar array (solar panel) will have DC high voltage.



**Warning:**

- PV modules used with inverters must have IEC 61730 class A rating or other equivalent standard class.
- Make sure good grounding of component frame and support system.
- Do not ground the PV array positive (+) or negative (-) as this may cause serious damage to the inverter.
- Make sure that the DC cables are firmly connected without looseness after connection.
- Use a multimeter to measure the positive and negative electrodes of the DC cable. Make sure that the positive and negative electrodes are correct, no reverse connection occurs and the voltage is within the allowable range.
- Do not connect the same PV string to multiple inverters, or the inverter may be damaged.
- In order to reduce the risk of fire, the inverter connected circuit requires an overcurrent protection device (OCPD). DC OCPD shall be installed according to local requirements. All PV power supplies and circuit conductors shall have disconnect connections in accordance with NEC Article 690, Part II.

## 2.3 Inverter safety



**Danger:**

- Please connect the inverter AC cable with the AC wiring terminals provided with the box. If other types of AC wiring terminals are used, serious consequences may be caused, and the equipment damage caused thereby is not within the scope of the equipment manufacturer.
- Danger of electric shock. There are no serviceable parts inside the machine. Please do not disassemble it. Please obtain service from qualified and recognized service technicians.



**Warning:**

- Make sure that the voltage and frequency of the grid connection access point meet the inverter grid connection specifications.
- It is recommended to add circuit breaker or fuse and other protective devices at the AC side of the inverter, and the specification of the protective device shall be 1.25 times greater than the maximum AC output current of the inverter.
- The protective ground wire of inverter must be firmly connected to make sure that the impedance between neutral wire and ground wire is less than 10 Ω.
- Copper core cable is recommended for AC output cable.

Identifications on inverter box are as follows:



Danger of high voltage. There is high voltage when the inverter is operating. When operating the inverter, make sure the inverter is powered off.



Time delay discharge. Wait for 5 minutes after the equipment is powered off until the equipment is fully discharged.



Please read the product manual carefully before operating the equipment.



Potential hazards after equipment operation. Please take protective measures during operation.



There is high temperature on the inverter surface, so do not touch it when the equipment is running, otherwise, it may cause scald.



Connection point of protective earthing wire.



CE symbol



The equipment shall not be treated as domestic garbage. Please treat the equipment according to local laws and regulations or send it back to the equipment manufacturer.

## 2.4 Personnel requirements



**Watch out:**

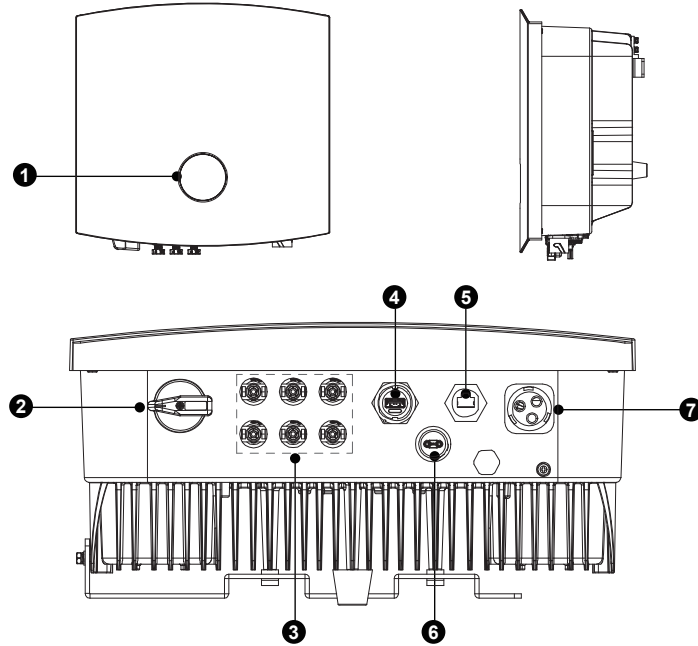
- Personnel responsible for installing and maintaining equipment must first undergo strict training, understand various safety precautions, and master the correct operating methods.
- Only qualified professionals or trained personnel are allowed to install, operate, maintain, or replace equipment or components.

# 3 INTRODUCTION

## 3.1 Products introduction

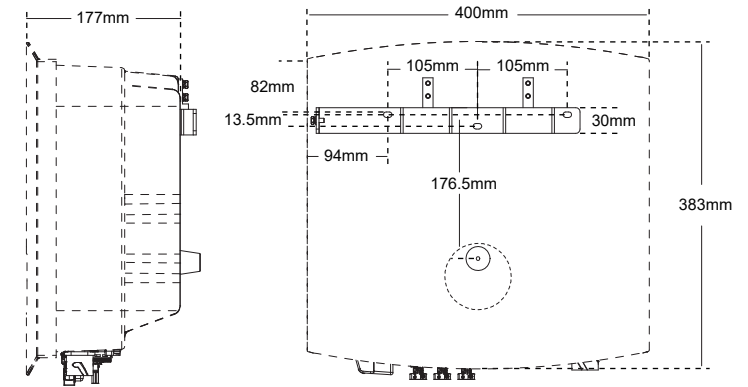
The AUX ASN series single-phase on grid inverter integrates the energy management system in the PV system to control and optimize the energy flow, adapt to the requirements of the smart grid and output the power generated in the PV system to the utility/national grid.

## 3.2 Outlook introduction



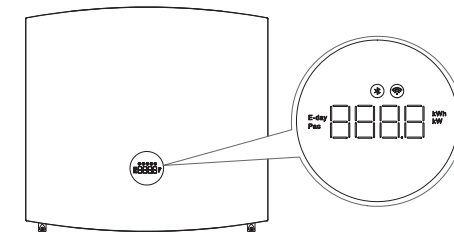
No.	Component	Description
1	LED screen	Indicates the working status of the inverter
2	DC switch	Control DC input on or off (warning: this switch does not have breaking capacity and is prohibited to operate when the machine is running)
3	PV DC port	Connect PV module with PV wiring connector
4	DRM port	Demand response interface (note: applicable to Australian regulations, optional)
5	Communication module port	The communication module can be connected via RS485, supporting optional communication modules such as bluetooth, Wi-Fi and 4G
6	CT port	External CT current transformer, anti-reflow function (optional)
7	AC interface	Connect AC mains supply

## 3.3 Dimension



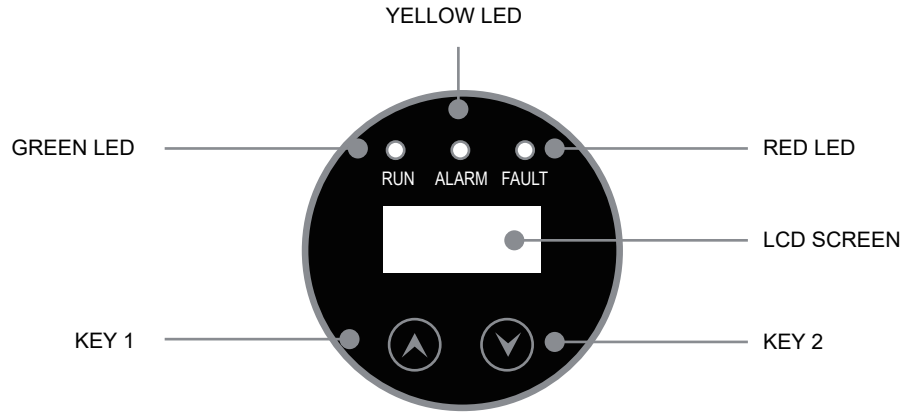
Model	Weight	Size
ASN-(6~10)SL	15.6kg	400 × 383 × 177mm

## 3.4 Display description



Indicator diagram	Status	Description
Bluetooth Map	Off	Bluetooth not connected
	Always on	Bluetooth connected
WiFi map	Off	No communication at the communication module port
	Always on	Normal communication of communication module port
E-day	On	At this time, the central digital area displays the daily PV power generation
Pac	On	At this time, the central digital area displays the real-time grid power
Light strip	Digital display tube	Display the specific value of this parameter
	Red always on	Fault mode (corresponding fault code displayed in the central digital area)
	Yellow flashes	Alarm mode
	Green always on	Normal operation mode
	Green flashes	Standby mode

### 3.4.1 LCD (Optional)



The LCD screen display module includes a display screen and two touch buttons on the front panel of the inverter, which shows the following information:

- Inverter operation status and data.
- Alarm messages and fault indications.

You can also get information via WiFi / GPRS.

### 3.4.2 LCD Operation Menu

#### 3.4.2.1 Button

The LCD screen display module has two touch buttons.

Touch buttons are as follows:

Button mode	Meaning
Touch button 1	UP
Touch button 2	DOWN
Press and hold button 1 for 2s	BACK
Press and hold button 2 for 2s	ENTER

#### 3.4.2.2 LED display light

LED display light has red, green, yellow three colors.

LED display light display effect is steady on, off and blinking (on 0.5s off 0.5s), as described in the following table:

Device status	LED	Priority
Upgrades	Red, green and yellow flash alternately.	1
Breakdown	Red light steady on	2
Alarm	Yellow light flashing	3
Power generation	Green light steady on	4
Standby	Green light flashing	5

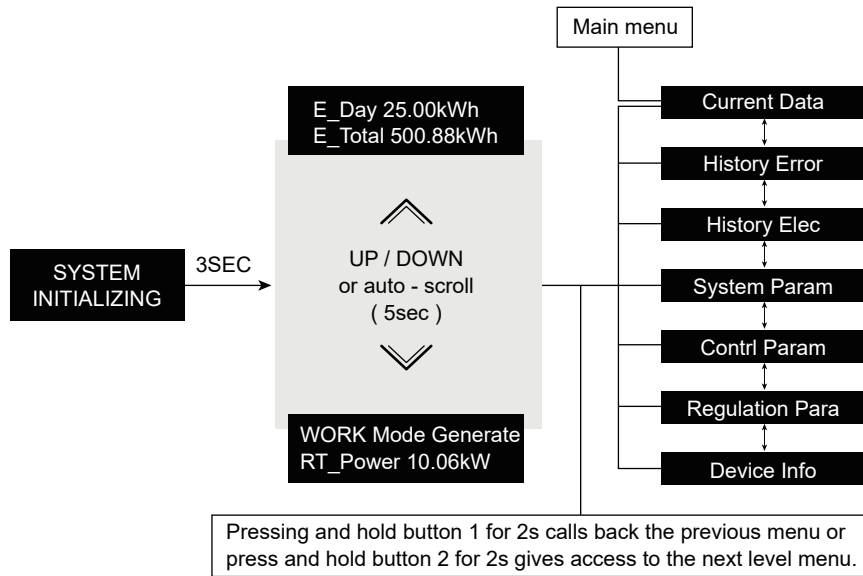
Remarks: Priority 1 is the highest, and it decreases in turn.

### 3.4.3 LCD work menu

The LCD is located on the front panel of the inverter, which shows the following information:

- Inverter operation status and data.
- Alarm messages and fault indications.

During normal operation, the display alternately shows the power and the operation status for 5 seconds. The LCD screens can also be manually scrolled by pressing UP and DOWN buttons. Press and hold button 2 for 2s gives access to the main menu or press and hold button 1 for 2s calls back to the previous menu.



### 3.4.4 Main menu

There are 7 submenus in the main menu:

- Current Data
- History Error
- History Elec
- System Param
- Contrl Param
- Regulation Para
- Device Info

### 3.4.5 Current data

The AUX ASN series single-phase inverter main menu provides access to operating data and information. Select Current Data from the menu to display the information and scroll up or down.

No.	Display	Description
1	Mode Generate	Display the current operating mode of inverter.
2	GRID VOLT 220.0V	Display grid voltage value
3	GRID P 4.98KW	Display the instant output power value
4	GRID FREQ 50.00HZ	Display grid frequency value
5	E_DAY 25.78KWH	Total Elec on that day
6	E_TOTAL 8458.57 kWh	Total Elec
7	PV1 VOLT 250.5V	Display PV1 voltage value
8	PV2 VOLT 260.8V	Display PV2 voltage value
9	PV1 CUR 10.7A	Display PV1 current value
10	PV2 CUR 10.5A	Display PV2 current value



### 3.4.6 History error

2022-03-04 19:33:39 10. IsolationAlarm	LCD display shows the latest 31 alarm messages. Press UP/DOWN to manually scroll through the screen. Press and hold button 1 for 2s to the previous menu.
---	---

### 3.4.7 History elec

Select the date of daily generation	
2022-03-05 23.51kWh	<b>1. His Daily Elec</b> This function is used to view the generated energy on the selected date. Press UP/DOWN to change the date.

Select the month of monthly generation	
2022-03 223.51kWh	<b>2. His Month Elec</b> This function is used to view the energy production for the selected month. Press UP/DOWN to change the month.

Select the year of annual energy production	
2022 1323.51kWh	<b>3. His Year Elec</b> This function is used to view the energy production for the selected year. Press UP/DOWN to change the year.


### 3.4.8 System param

#### 3.4.8.1 Set address

This function is used to set the address when multiple inverters are connected to a single monitor. The address number can be assigned from "01" to "10".	
1.Comm Addr 1	The default address number of AUX ASN series single-phase inverter is "01". Press the UP/ DOWN buttons to set the address. Press and hold button 2 for 2s to save the settings. Press and hold button 1 for 2s to cancel the change and return to the previous menu.

#### 3.4.8.2 Selecting regulation

This function is used to select the reference regulation for the grid.	
2.Regulation CQC	Press UP/DOWN to select the regulation. (CQC,Brazil,EN_50549,IEC61727_50,IEC61727_60,Wide_Range_50,Wide_Range_60,Spain,Poland).

	<b>Attention:</b> This function is for technical personnel only. For different countries, grid regulations need to be set differently according to local requirements. If in doubt, consult your AUX technician. Below is the setting range for "User-Def". The following are user-defined setting ranges. With this function the limits can be changed manually. (CQC,Brazil,EN_50549,IEC61727_50,IEC61727_60,Wide_Range_50,Wide_Range_60,Spain,Poland).
---	---


#### 3.4.8.3 Set language

3.Language English	Press UP/ DOWN to set the language. Press and hold button 2 for 2s to save the settings. Press and hold button 1 for 2s to cancel the change and return to the previous menu.
-----------------------	---

#### 3.4.8.4 Set time

This function allows to set time and date. When this function is selected, the LCD displays the following <Time Set>			
4.Time Set 2023/04/24 11:01:03	Set Time	Date-Year 2023	Set Year
Date-Month 4	Set Month	Date-Day 24	Set Day
Time-Hour 11	Set Hour	Time-Minute 1	Set Minute
Time-Second 3	Set Second		
Press UP/ DOWN to set the time and data. Press and hold button 2 for 2s to save the settings and press and hold button 1 for 2s to return to the previous menu.			

### 3.4.9 Contrl param

	<b>Attention:</b> Only fully qualified and approved technicians shall enter the area. Password is required to enter the menu "Contrl Param". Select "Contrl Param" on the Main Menu.The screen will require the password:
---	--

Password 0000	The default password is"1020". Please press DOWN to move the cursor and press UP to select the number. After enter the correct password the main menu will display a screen and be able to access to the following information: 1. remote control 2. clear His.error 3. restore factory
------------------	--

#### 3.4.9.1 Remote control

This function is used to start or stop AUX single-phase inverter power generation.	
Remote control Power on	Press UP/DOWN to manually scroll the screen. Press and hold button 2 for 2s to save the setting. Press and hold button 1 for 2s to return to the previous menu.

### 3.4.9.2 Clear his.error

This function is used to clear the fault record.


His Elec Clear? Cancel    affirm	Press and hold button 2 for 2s to save the setting , Press and hold button 1 for 2s to return the previous menu.
-------------------------------------	--

### 3.4.9.3 Restore factory

Restore factory settings to set special settings for all items to default values. The screen shows as below:

Restore? Cancel    affirm	Press and hold button 2 for 2s to save the setting. Press and hold button 1 for 2s to return the previous menu.
------------------------------	---

### 3.4.10 Regulation para

	<p><b>Attention:</b></p> <p>Only fully qualified and approved technicians shall enter the area. Password required to enter the menu "Regulation Para". Select "Regulation Para" to enter the main menu. The password required on the screen is:</p>
---	---

<table border="1"> <tr> <td>Password 0000</td> </tr> </table>	Password 0000	<p>The default password is"1020". Please press DOWN to move the cursor, press UP to select numbers. When the correct password is entered, the main menu displays an interface to access the following information:</p>
Password 0000		

No.	Display	Description
1	GridOverVolt_1 110%	Display the primary over voltage protection value of power grid
2	GridOverVolt_T1 1000ms	Display the primary over voltage protection time of power grid
3	GridOverVolt_2 135%	Display the secondary over voltage protection value of power grid
4	GridOverVolt_T2 40ms	Display the secondary over voltage protection time of power grid
5	GridOverVolt_3 135%	Display the three-level over voltage protection value of power grid
6	GridOverVolt_T3 40ms	Display the three-level over voltage protection time of power grid
7	GridUnderVolt_1 85%	Display the primary under voltage protection value of power grid
8	GridUnderVolt_T1 1000ms	Display the primary under voltage protection time of power grid
9	GridUnderVolt_2 50%	Display the secondary under voltage protection value of power grid
10	GridUnderVolt_T2 80ms	Display the secondary under voltage protection time of power grid
11	GridUnderVolt_3 20%	Display the three-level under voltage protection value of power grid
12	GridUnderVolt_T3 40ms	Display the three-level under voltage protection time of power grid
13	GridOverVFreq_1 50.50HZ	Display the primary over-frequency protection value of power grid

No.	Display	Description
14	GridOverVFreq_T1 180ms	Display the primary over-frequency protection time of power grid
15	GridOverVFreq_2 55.00HZ	Display the secondary over-frequency protection value of power grid
16	GridOverVFreq_T2 140ms	Display the secondary over-frequency protection time of power grid
17	GridOverVFreq_3 55.00HZ	Display the three-level over-frequency protection value of power grid
18	GridOverVFreq_T3 140ms	Display the three-level over-frequency protection time of power grid
19	GridUnderFreq_1 47.50HZ	Display the primary under-frequency protection value of power grid
20	GridUnderFreq_T1 180ms	Display the primary under-frequency protection time of power grid
21	GridUnderFreq_2 45.00HZ	Display the secondary under-frequency protection value of power grid
22	GridUnderFreq_T2 140ms	Display the secondary under-frequency protection time of power grid
23	GridUnderFreq_3 45.00HZ	Display the three-level under-frequency protection value of power grid
24	GridUnderFreq_T3 20ms	Display the three-level under-frequency protection time of power grid
25	Restart Time 60s	Display start time
26	Reconnected Time 60s	Display reconnection time

Press UP/DOWN to manually scroll the screen. Press and hold button 2 for 2s to enter the parameter modification interface, than press DOWN to move the cursor, press UP to select numbers, press and hold button 2 for 2s to save the settings, press and hold button 1 for 2s to cancel the change and return to the previous menu.

### 3.4.11 Device info

#### 3.4.11.1 Software version

Software Version A1259	This screen displays the inverter software version number.
---------------------------	--

#### 3.4.11.2 Rated power

2. Rated Power 10 kW	The screen displays the inverter's rated power.
-------------------------	---

#### 3.4.11.3 SN number

3.SN Number ASN-10SL2304460018	The screen shows the SN Number of the inverter.
-----------------------------------	---

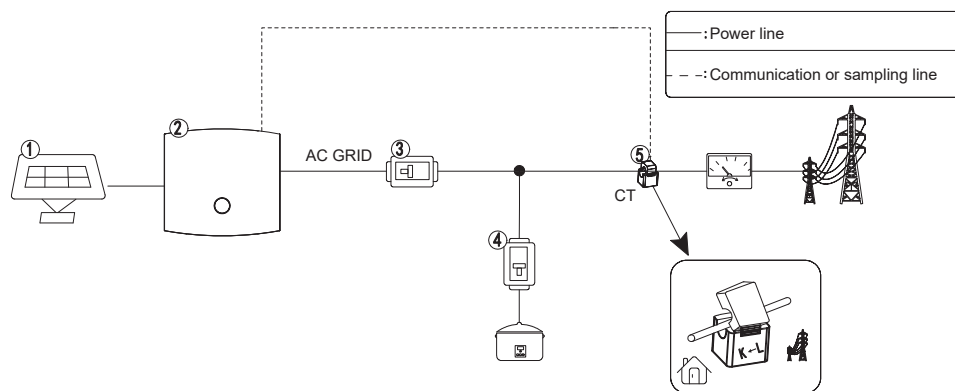
# 4 APPLICATION

## 4.1 Application scenario



### Warning:

- PV systems are not suitable for connecting devices that rely on stable power supply, such as life-sustaining medical equipment. Please ensure that the power outage of the system does not cause personal injury.
- Avoid using loads with high starting current in the PV system as much as possible, such as high-power water pump, otherwise, the inverter may be restarted due to excessive instantaneous power.
- When the inverter is protected for a single time, the inverter can be automatically restarted. If it happens multiple times, the inverter will stop waiting and can be restarted immediately via the App.



No.	Component	Description
1	PV string assembly	PV string consists of PV modules connected in series
2	Inverter	ASN series on grid inverter
3	AC circuit breaker	Used for inverter and load protection and for interrupting AC supply during maintenance
4	AC circuit breaker	For protecting household loads
5	CT current transformer	Used for anti-reflow function

### AC circuit breaker

Model	Voltage(Vac)	Current(A)
ASN-6SL	≥230	40
ASN-(7~8)SL	≥230	50
ASN-(9~10)SL	≥230	63

## 4.2 Application mode

### 4.2.1 Self-use

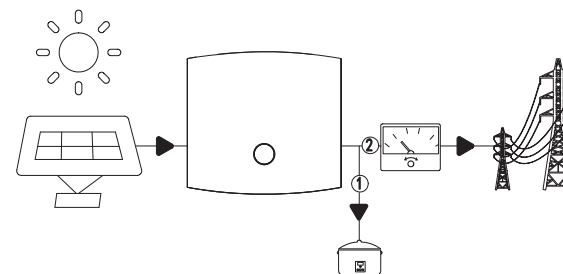


#### Watch out:

It is applicable to regions with high electricity cost, low electricity sales revenue and stable power grid.

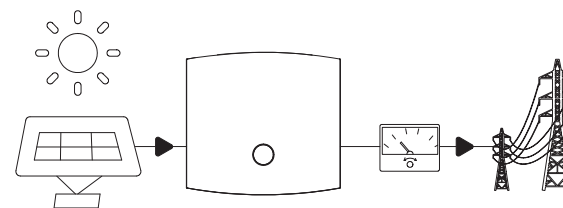
PV energy sufficient:

PV energy shall be preferentially supplied to the load, and the remaining energy shall be sold. As shown in the figure below, ① and ② represent energy priority.



### 4.2.2 Full grid connection

If no load is required, all energy of the inverter can be supplied to the utility/national grid to realize full grid connection of power generation.



## 4.3 Function characteristics

### 4.3.1 Power derating

In order to make the inverter operate safely, the inverter will automatically reduce the output power when the operating environment is not ideal.

The following factors may cause power derating, so please try to avoid them during use.

- Unfavorable environmental conditions such as direct sunlight, high temperatures, etc
- The inverter's output power percentage has been limited by the app or web-end settings
- Variation with grid voltage frequency
- High input voltage
- High input current value

# 5 INSTALLATION

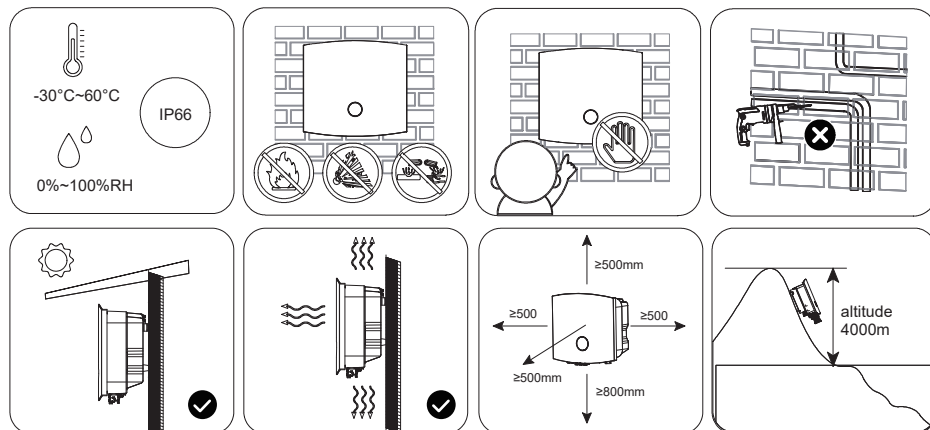
## 5.1 Installation requirements

### 5.1.1 Environmental requirements

- The protection class of inverter is IP66, which can be installed indoor and outdoor.
- Equipment shall not be installed in flammable, explosive and corrosive environment.
- The installation position shall be kept away from the accessible range of children and the position easy to be touched. High temperatures may be present on the surface when the equipment is in operation to prevent burns.
- The installation position shall avoid the water pipe and cable in the wall to avoid danger during punching.
- The inverter shall avoid salt fog areas and installation environments such as sunshine, rain and snow. It is recommended to install the inverter in a sheltered installation position. If necessary, a sunshade can be erected.
- When installing the inverter, certain space shall be reserved around the inverter to ensure sufficient installation and heat dissipation space.
- Under the installation scenario of multiple inverters, when the space is sufficient, the installation mode of "straight line" is recommended. When the space is insufficient, it is recommended to install the product in a zig-zag manner. It is not recommended to install multiple inverters by overlapping.
- The installation height of the equipment shall be convenient for operation and maintenance, ensure that the equipment indicator lights, all labels are easy to see, and the terminal blocks are easy to operate.
- The inverter is installed at an altitude lower than the maximum working altitude of 4000m.
- Keep away from strong magnetic field environment to avoid electromagnetic interference. If there is a radio station near the installation location or wireless communication equipment below 30MHz, please install the equipment according to the following requirements:

Ferrite core with multi-circle winding or low-pass EMI filter at inverter DC input or AC output.

The distance between inverter and wireless electromagnetic interference equipment exceeds 30m.

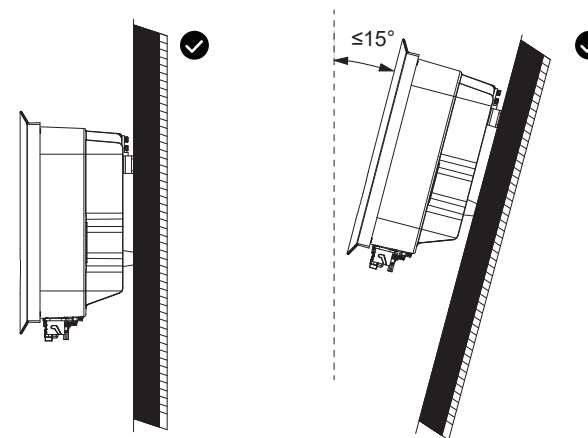


### 5.1.2 Carrier requirements

- Installation carriers must not be flammable and must be fire resistant.
- Please make sure that the mounting carrier is solid and reliable and can bear the weight of inverter.
- The equipment will vibrate during operation, so do not install it on the carrier with poor sound insulation, so as to avoid disturbance to residents in the living area caused by the noise generated by the equipment during operation.

### 5.1.3 Installation angle requirements

- Recommended inverter installation angle: vertical or pitching  $\leq 15^\circ$ .
- Do not invert, tilt forward, tilt backward beyond the angle and install the inverter horizontally.



## 5.1.4 Installation tool requirements

The following installation tools are recommended for installation. Other auxiliary tools can be used on site if necessary.



## 5.2 Installation of inverter

### 5.2.1 Handling inverter



#### Watch out:

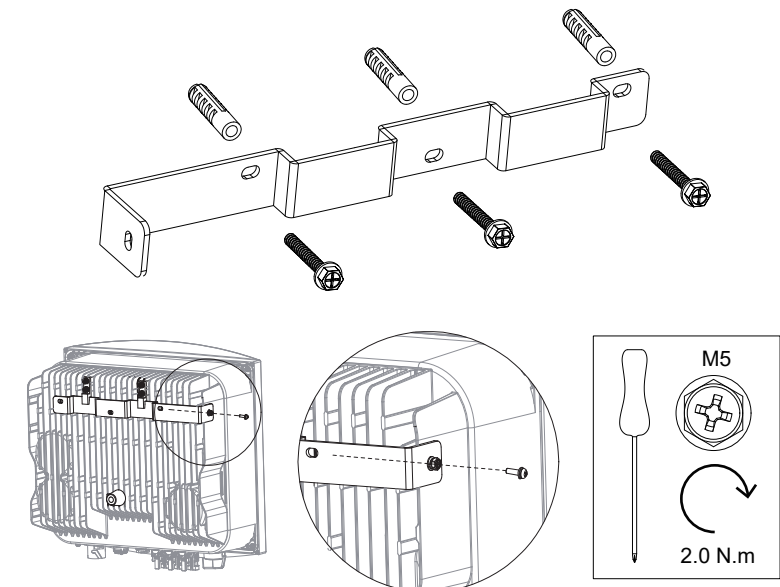
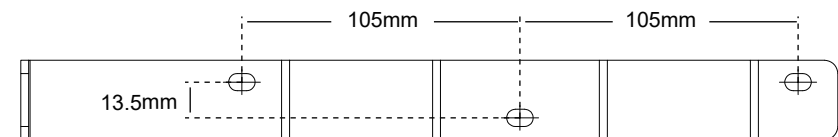
- Transportation, turnover, installation and other operations must meet the requirements of national and regional laws and regulations and relevant standards.
- Please equip corresponding personnel according to the weight of the equipment to prevent the equipment from exceeding the weight range that can be handled by human body and damaging personnel.
- Wear safety gloves to avoid injury.
- Please make sure that the equipment is balanced during handling to avoid dropping.

### 5.2.2 Installation of inverter



#### Watch out:

- When drilling holes, make sure that the drilling position is kept away from water pipes, cables, etc. in the wall to avoid danger.
- Wear goggles and dust mask when punching to avoid dust inhalation into respiratory tract or into eyes.
- Make sure that the inverter is securely installed to prevent injuries from falling.



## 5.3 Electrical connection

### 5.3.1 Safety precautions



#### Danger:

- Specifications of all operation, cables and components used in electrical connection shall comply with local laws and regulations.
- Before electrical connection, please disconnect the DC switch and AC output switch of inverter to make sure that the equipment is powered off. It is strictly forbidden to operate with electricity, otherwise, electric shock and other hazards may occur.
- Cables of the same type shall be bound together and arranged separately from cables of different types. It is forbidden to wind or cross cables.
- If the cable bears too much tension, it may lead to poor wiring. When wiring, please reserve a certain length of the cable before connecting to the inverter wiring port.
- When crimping the connecting terminal, please make sure that the conductor part of the cable is fully contacted with the connecting terminal, and do not crimp the cable insulation skin together with the connecting terminal, otherwise, the equipment may be unable to operate, or the inverter terminal block may be damaged due to heating due to unreliable connection after operation.



#### Watch out:

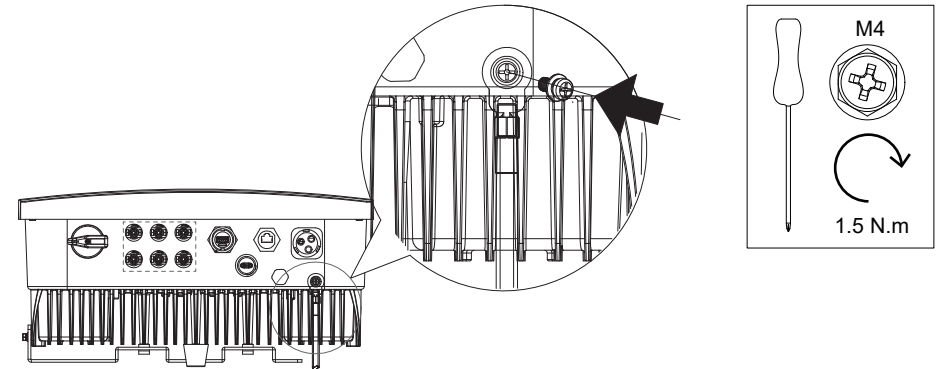
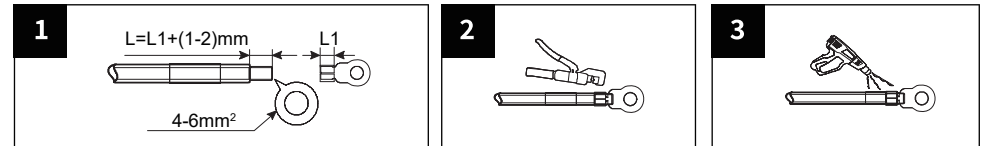
- When making electrical connection, please wear safety shoes, protective gloves, insulating gloves and other personal protective equipment as required.
- Only professionals are allowed to carry out operations related to electrical connection.

### 5.3.2 Connecting protective earth wire



#### Warning:

- The protective grounding of the crate shell cannot replace the protective grounding wire of the AC output port. When wiring, ensure that the protective grounding wires at the two places are reliably connected.
- In case of multiple inverters, make sure that the protective earthing point of all inverter crate enclosures is equipotentially connected.
- To improve the corrosion resistance of the terminal, it is recommended to apply silicone or paint on the external of the grounding terminal for protection after the connection and installation of the protective ground wire.
- Please prepare the protective ground wire, and the recommended specification:  
Type: Outdoor single-core copper wire  
Conductor sectional area: 4-6mm<sup>2</sup> ( 12 - 10AWG )



### 5.3.3 Connect PV input cable

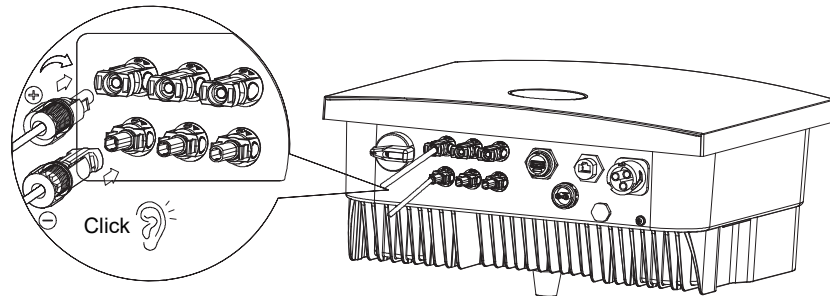
#### Danger:

- Do not connect the same PV string to multiple inverters, otherwise the inverter may be damaged.
- Please make sure that the maximum short circuit current and maximum input voltage of each MPPT are within the allowable range of the inverter.
- Please make sure that the positive electrode of the PV string is connected to the PV port + of the inverter, and the negative electrode of the PV string is connected to the PV port - of the inverter.
- Please prepare your own PV input cable. Recommended specification:  
 Type: Outdoor PV multi-core copper wire  
 conductor cross-section: 4-6mm<sup>2</sup> ( 12 - 10AWG )  
 Outer diameter of conductor insulation layer: φ3~7mm

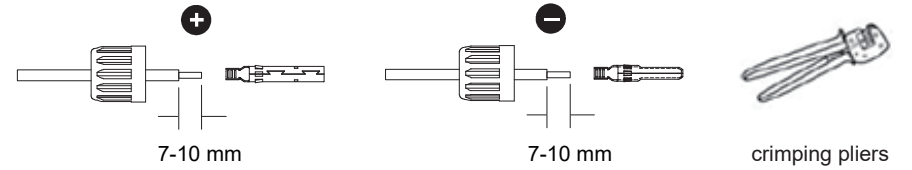


#### Warning:

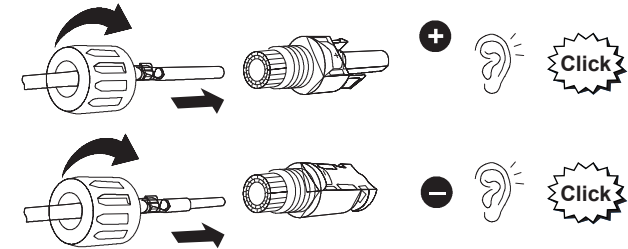
- PV string output does not support grounding. Before connecting PV string to inverter, please make sure that the minimum insulation resistance to ground of PV string meets the minimum insulation impedance requirements ( $R = \text{maximum input voltage} / 30\text{mA}$ ).
- Make sure that the DC cables are firmly connected without looseness after connection.
- Use a multimeter to measure the positive and negative electrodes of the DC cable and ensure that the positive and negative electrodes are correct without reverse connection, and the voltage is within the allowable range.



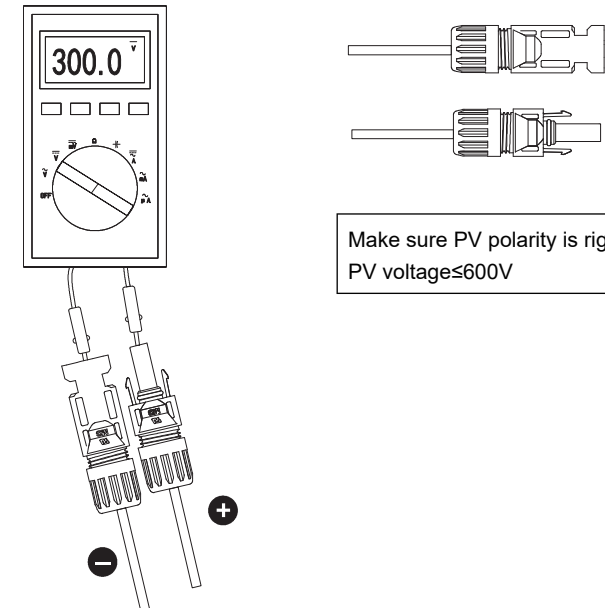
1



2



3





### 5.3.4 Connecting AC cable

**Danger:**

- In order to ensure that the inverter and the grid can be safely disconnected from the grid in case of abnormal conditions, please connect the AC switch on the AC side of the inverter. Multiple inverters cannot be connected to one AC switch at the same time. Please select proper AC switch according to local regulations.
- Please prepare your own PV input cable. Recommended specification:
- Type: Outdoor AC single-core copper wire

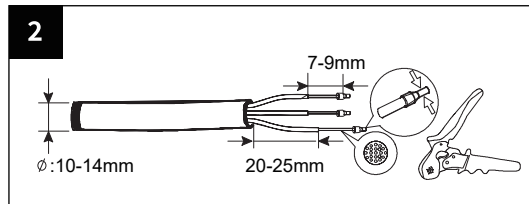
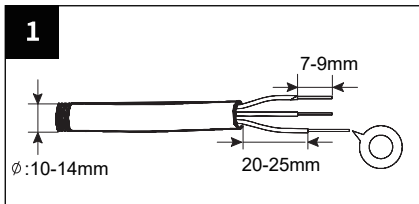
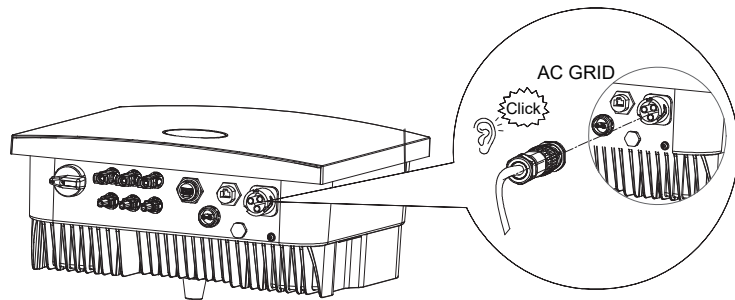


Model	Wire gauge	Conductor cross-section
ASN-6SL	10AWG	5.26mm <sup>2</sup>
ASN-(7~10)SL	8AWG	8.37mm <sup>2</sup>

- If multi-core copper wire is selected, supporting crimping terminal shall be used for assembly. It is forbidden to directly press multi-core copper wire into the connector.

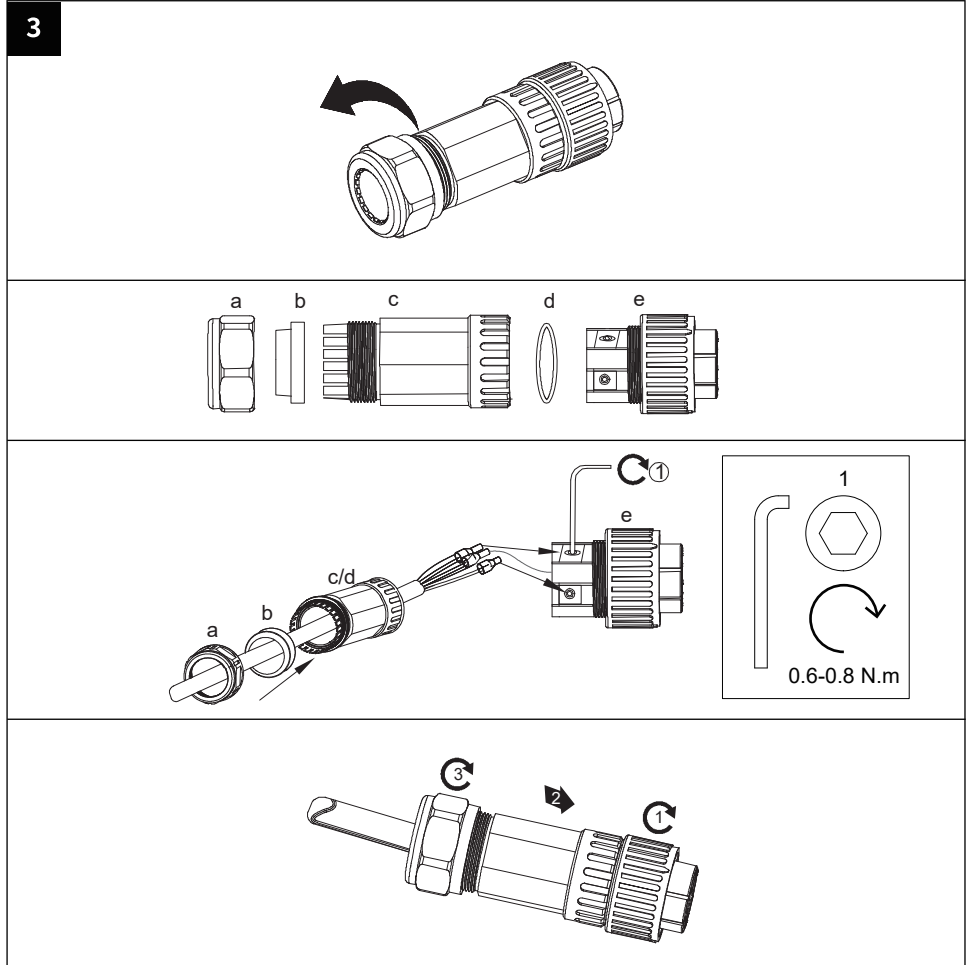
**Warning:**

- Residual current monitoring unit (RCMU) is integrated in the inverter, and the inverter will quickly disconnect from the utility/national grid when detecting leakage current greater than the allowable value.
- When wiring, the AC cable shall be completely matched with the "L", "N" and grounding port of the AC terminal. If the cable connection is wrong, the equipment will be damaged.
- Make sure that the core is completely inserted into the terminal hole without exposure.
- Make sure that the cable connection is tight, otherwise the equipment might be damaged due to overheating of terminal blocks when the equipment is operating.



Note:

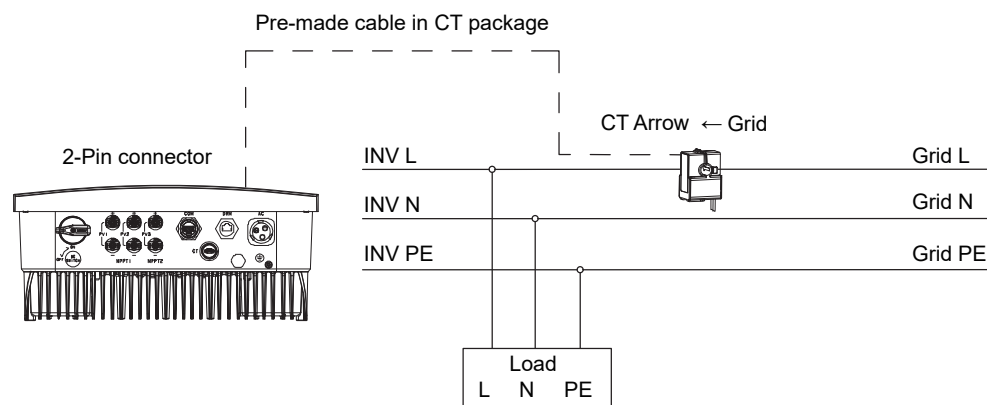
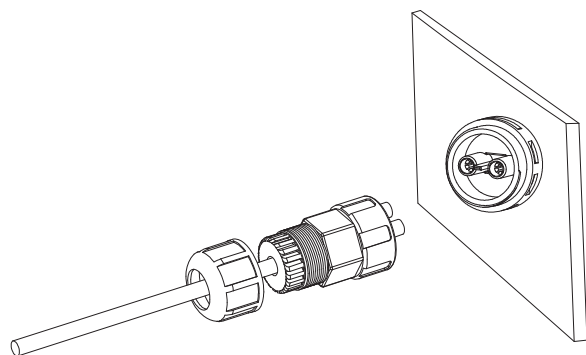
- Single core wire, no terminal pressing operation required.
- For multi-core wires, cold-pressed terminal crimping pliers shall be used for crimping terminals.



### 5.3.5 CT Anti-reflow (optional)

#### Watch out:

- When connecting signal cables, the cable route shall avoid interference sources, power cables, etc. to avoid affecting signal reception.
- CT is shipped with inverter and relevant parameters have been preset before delivery. Please do not modify relevant parameters of CT.
- Please connect CT according to the current direction, and the inverter cannot work properly if it is in reverse direction.
- The length of CT cable provided with inverter is 5m. Please install CT properly according to the actual situation.
- Use CT current sensor to control the inverter's power generation to the grid. Install the current sensor on the L-wire of the power grid, ensure the direction of the current sensor from the L-wire of the power grid to the home, insert the terminal into the CT port of the inverter and tighten the terminal. Connect the black wire with "-" of the CT connector, while connect the black and white wire with "+".

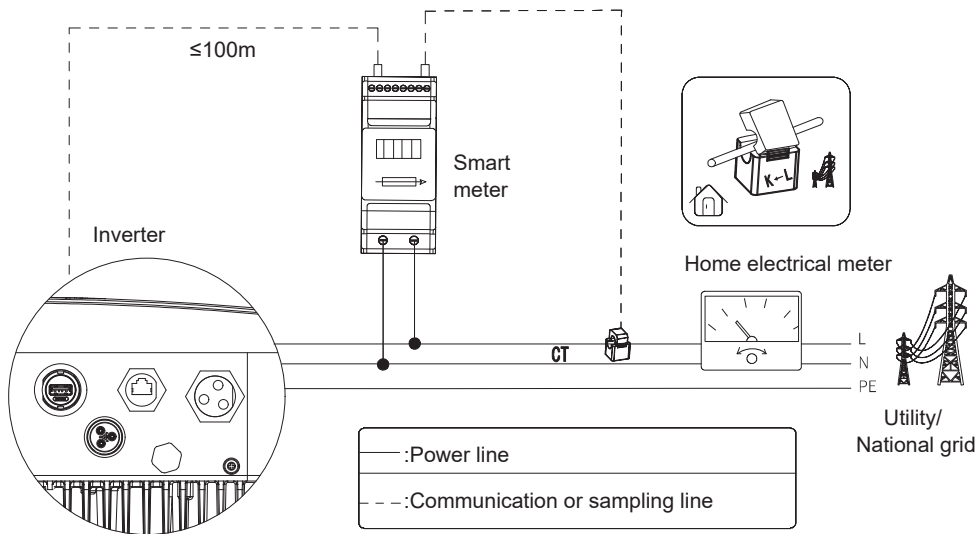
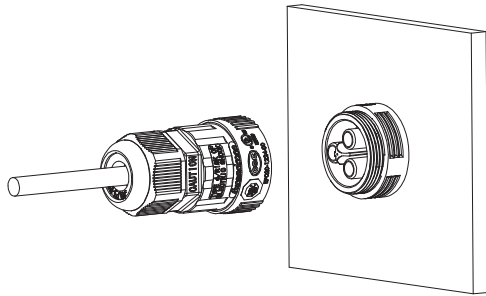
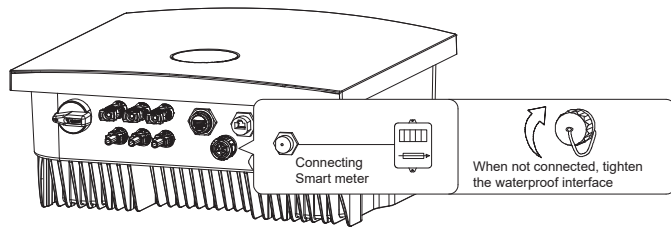


### 5.3.6 Smart meter (optional)

#### Watch out:

- When connecting communication cables, please ensure that the definition of the wiring port matches the device perfectly, and the cable routing should avoid interference sources, power cables, etc. to avoid affecting signal reception. The electrical meter and CT are shipped with the inverter, and the relevant parameters have been preset at the factory. Please do not modify the relevant parameters of the electricity meter and CT.
- Each inverter needs to be connected to a separate meter. Do not connect multiple inverters to the same electrical meter.
- To ensure the normal use of the electricity meter and CT, please ensure the following: Please ensure that the CT is matched and connected to the phase cable, and the CT is connected to the L-cable.
- Please connect the CT according to the direction of the meter. If it is reversed, a CT reverse fault will be reported.
- The length of the CT cable provided with the inverter is 3m or 5m. Please install the electricity meter and CT according to the actual situation.
- Please provide your own communication cable for the electrical meter, and it is recommended to use T568B standard network cables of Class 5 or higher standards.
- The communication cable connecting the meter and inverter supports a maximum of 100m. Install the current sensor on L line of the power grid, ensure the direction of the current sensor from the L-line of the power grid to the home, insert the terminal into the CT port of the inverter and tighten the terminal. Install the CT black cable to screen "2" of the meter, and install the CT white cable to screen "1" of the meter. Connect screen "10" of the meter with CT connector "L", and connect position "9" of the meter screen with CT connector "N". Connect position "8" of the meter screen with CT connector "PE". Connector position "4" of the meter screen to the L-line of the power grid, and connector position "3" of the meter screen to the N-line of the power grid.

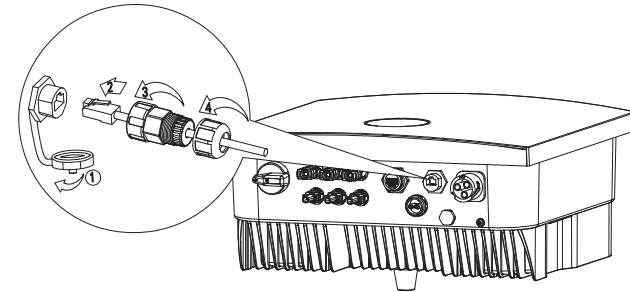




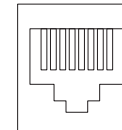
### 5.3.7 DRM Control (optional)

#### Watch out:

- When connecting communication cables, please ensure that the definition of the wiring port matches the device perfectly, and the cable routing should avoid interference sources, power cables, etc. to avoid affecting signal reception.
- Please provide your own RJ45 registered jack. It is recommended to use T568B standard super five and above standard network cables.
- The communication cable from DRM to inverter can be connected to the standard RJ45 registered jack, and the ports are defined as follows:



1 2 3 4 5 6 7 8

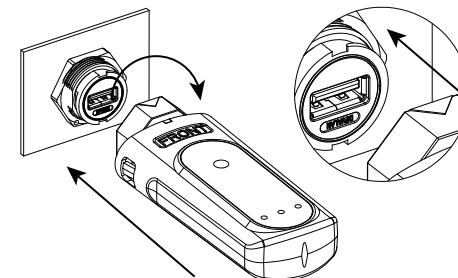


Pin	Function	Pin	Function
1	DRM 1/5	5	REF
2	DRM 2/6	6	Com/DRM0
3	DRM 3/7	7	V+
4	DRM 4/8	8	V-

### 5.3.8 Datalogger connection (optional)

#### Watch out:

See the official website for details of datalogger.



# 6 EQUIPMENT COMMISSIONING AND MAINTENANCE

## 6.1 Check before power-on

Items	Checking items	Standard
1	Installation of inverter	The inverter shall be installed correctly, firmly and reliably
2	Cable arrangement	Cables shall be reasonably arranged and well protected, without damage
3	Datalogger	The data logger shall be installed correctly, firmly and reliably
4	Identifying	The safety signs and warning labels on the inverter are not blocked or damaged
5	Switch	" DC SWITCH "and all switches connected to the inverter are" OFF "
6	Cable connection	The AC output cable, DC input cable and grounding wire are connected correctly, firmly and reliably
7	Unused terminals and interfaces	Unused terminals and interfaces are protected with waterproof covers
8	Circuit breaker	Reasonable selection of AC and DC circuit breakers
9	Environmental requirements	Reasonable installation space, clean and tidy environment, no construction remains

## 6.2 Power on the equipment

- Step 1: At the AC switch between the inverter and the power grid, measure the voltage at the power grid side with a multi-meter, and confirm that the power grid voltage is at the working power of the inverter allowable pressure range.
- Step 2: Close the AC switch between inverter and utility/national grid.
- Step 3: Set "DC SWITCH" on the inverter to "ON".
- Step 4: Observe the inverter LED indicator and check the inverter operation status.

## 6.3 Set inverter parameters via APP



### Watch out:

To ensure that the inverter works properly, please use the AUXSOL application program to complete the inverter parameter setting.

Scan the QR code below to download the AUXSOL application or log in following website to download this application : <https://www.auxsolcloud.com>



### Watch out:

Please also obtain the operating instructions of the communication rod from the official website, to set the contents more consistent with the application scenario.

## 6.4 Power off the equipment



### Danger:

- When operating and maintaining the inverter, please turn off the inverter for treatment. Live operation of the equipment may cause damage to the inverter or electric shock.
- After the inverter is powered off, it will take a certain amount of time for internal components to discharge. Please wait until the equipment is fully discharged according to the required label time requirements.

- Step 1: Disconnect the AC switch between the inverter and the utility/national grid.
- Step 2: At the AC switch between the inverter and the utility/national grid, measure the voltage on the power grid side with a multi-meter to confirm that the power has been cut off.
- Step 3: Observe the inverter LED indicator, check the inverter operation status, and confirm to enter standby.
- Step 4: Set "DC SWITCH" on inverter to "OFF".

## 6.5 Equipment removal



### Danger:

- Make sure inverter is power off.
- Wear personal protective equipment when operating the inverter.

Step 1: Successively remove all electrical connections of inverter, including DC cable, AC cable, communication cable, communication module and protective earth wire.

Step 2: Remove the inverter from the back cladding.

Step 3: Remove the back cladding.

Step 4: Properly save the inverter and ensure that the storage conditions meet the requirements if the subsequent inverter is still put into use.

## 6.6 Equipment scrapping

If the inverter cannot be used anymore and needs to be scrapped, please dispose according to the electrical waste disposal requirements of the inverter country/region.

The inverter shall not be treated as household garbage.

## 6.7 Trouble shooting

Please troubleshoot according to the following methods. If the troubleshooting methods cannot help you, please contact the after-sales service center.

When contacting the after-sales service center, please collect the following information for quick solution.

1. Inverter information, such as serial number, software version, equipment installation time, fault occurrence time, fault occurrence frequency, etc.
2. Equipment installation environment, such as weather conditions, whether components are sheltered and whether there is shadow, etc. It is recommended to provide photos, videos and other documents to assist in analyzing problems..

Defect codes	Defect name	Solutions
101	Bus over voltage	1. Restart inverter. 2. If it still fails after restarting, contact the installer.
102	Bus under voltage	
104	Bus over voltage	
301	L1 Inverter soft start timeout	
601	L1 Inverter overcurrent	1. Check whether the voltage frequency of the power grid is stable. If the power grid fluctuates greatly, restart the inverter. 2. If the fault still exists after restarting, contact the installer.
801	L1 Inverter high voltage	1. Restart inverter. 2. If it still fails after restarting, contact the installer.
901	L1 Inverter low voltage	
1501	Excessively high control panel temperature	1. The inverter shall be wall-mounted in the environment where the ambient temperature does not exceed 60 °C. 2. If the installation method and environment are normal, please contact the installer.
1504	Over-temperature of inverter module	
1601	L1 DC current out of limits	1. Restart inverter. 2. If it still fails after restarting, contact the installer.
1801	PV1 Input overvoltage	Check solar panel configuration to ensure open circuit voltage is less than 600V.
1802	PV2 Input overvoltage	
2001	PV Input overcurrent	

Defect codes	Defect name	Solutions
2101	PV Input arc protection	Disconnect the inverter PV/grid input and check whether the wiring from the solar panel to the inverter input terminal is damaged/in poor contact.
2201	PV1 Input reversal connection	Disconnect the inverter PV/utility (national grid) input and exchange the positive and negative connections of PV1.
2202	PV2 Input reversal connection	Disconnect the inverter PV/utility (national grid) input and exchange the positive and negative connections of PV2.
2301	PV1 Input short circuit	Contact the installer.
2302	PV2 Input short circuit	
2401	Internal fan failure	
2901	ISO Fault	1. Confirm whether the insulation of PV input wiring is normal. 2. Wait for the inverter to automatically recover, otherwise contact the installer.
3001	GFCI Sensor fault	1. Restart inverter. 2. If it still fails after restarting, contact the installer.
3002	GFCI Exceeding the standard	1. Confirm whether the insulation of PV/utility (national grid) input wiring is normal. 2. Contact the installer.

Defect codes	Defect name	Solutions
3101	Auxiliary source anomaly	Contact the installer.
3303	Relay failure	1. Restart inverter. 2. If it still fails after restarting, contact the installer.
4201	DRM Power off	Respond to scheduling shutdown without handling.
4301	DSP&ARM Version mismatch	Contact the installer.
4302	Incompatible hardware version	
4503	Memory exception	

## 6.8 Regular maintenance



### Danger:

The machine must be kept power off state during maintenance.



### Watch out:

Regular maintenance can maintain the stability of inverter performance.

Content	Method	Cycle
System Cleaning	Check the cooling fin and air inlet/outlet for foreign matter and dust. Especially the fan needs regular maintenance to prevent debris from blocking the fan and affecting the operation of the inverter.	half year
DC switch	Turn on and off the DC switch for 10 times continuously to ensure the normal function of DC switch.	one year
Electrical connection	Check whether the electrical connection is loose, whether the cable appearance is damaged and whether there is copper leakage.	half year
Tightness	Check whether the tightness of the equipment inlet hole meets the requirements. If the gap is too large or not sealed, it shall be re-closed.	one year

# 7 TECHNICAL PARAMETER

Model	ASN - 6SL	ASN - 7SL	ASN - 8SL	ASN - 9SL	ASN - 10SL
<b>input DC</b>					
Max.input power	9kW	10.5kW	12kW	18kW	20kW
Max.input voltage	600V				
Rated voltage	380V				
Start-up voltage	80V	80V	80V	40V	40V
MPPT voltage range	80-550V	80-550V	80-550V	40-550V	40-550V
Max.input current	16A/16A	27A/16A	27A/16A	32A/16A	32A/16A
Max.short circuit current	20A/20A	35A/20A	35A/20A	40A/20A	40A/20A
MPPT number	2	2	2	2	2
Max. input strings number	2	3	3	3	3
<b>Output AC</b>					
Rated output power	6kW	7kW	8kW	9kW	10kW
Max.apparent output power	6.6kVA	7.7kVA	8.3kVA	9kVA	10kVA
Max.output power	6.6kW	7.7kW	8kW	9kW	10kW
Rated grid voltage	1/N/PE,220V/230V/240V				
Rated grid frequency	50 Hz / 60Hz				
Rated grid output current	27.3A	31.8A	36.4A	40.9A	45.5A
Max.output current	29.1A	34.0A	36.4A	40.9A	45.5A
Power factor	1 (0.8 Leading...0.8Lagging)				
THDi	<3%				

Model	ASN - 6SL	ASN - 7SL	ASN - 8SL	ASN - 9SL	ASN - 10SL
<b>Efficiency</b>					
Max. efficiency	97.80%	97.80%	97.80%	98.10%	98.10%
EU efficiency	97.30%	97.30%	97.30%	97.60%	97.60%
<b>Protection</b>					
Integrated DC switch	Yes				
DC rever-polarity protection	Yes				
Anti-islanding protection	Yes				
Short circuit protection	Yes				
Output over currentprotection	Yes				
DC Surge protection	Type II				
AC Surge protection	Type II				
Insulation impedance detection	Yes				
Ground fault monitoring	Yes				
Residual leakage current detection	Yes				
Temperature protection	Yes				
AC Over voltage protection	Yes				
DC Over current protection	Yes				
Integrated AFCI (DC arc-fault circuit protection)	Optional				
Antibackflow	Optional				

Modelo	ASN - 6SL	ASN - 7SL	ASN - 8SL	ASN - 9SL	ASN - 10SL
<b>General Data</b>					
Dimensions (W*H*D)	400 x 383 x 177mm				
Weight	15.6kg	15.6kg	15.6kg	15.6kg	15.6kg
Self consumption(night)	≤0.3W	≤0.3W	≤0.3W	≤1W	≤1W
Operating temperature range	-30...+60°C	-30...+60°C	-30...+60°C	-30...+60°C	-30...+60°C
Cooling concept	Natural Cooling				
Max. operation altitude	4000m (Derating above 3000m)				
Relative humidity	0-100%				
Protective class	I				
Ingress protection	IP66				
Topology structure	Transformerless				
Grid connection stadard	EN 50549-1, IEC 61727, IEC 62116, IEC 61683, UNE 217001, UNE 217002, NTS-631				
Safety/EMC standard	IEC/EN 62109-1/2, EN IEC61000-6-1/2/3/4, EN IEC 61000-3-11, EN 61000-3-12				
Type of DC terminal	MC4 connector				
Type of AC terminal	Quick connection plug				
<b>Display&amp;Communication</b>					
Display	LED+Bluetooth+APP				
Communication interface	RS485,Optional:WIFI,4G,LAN				